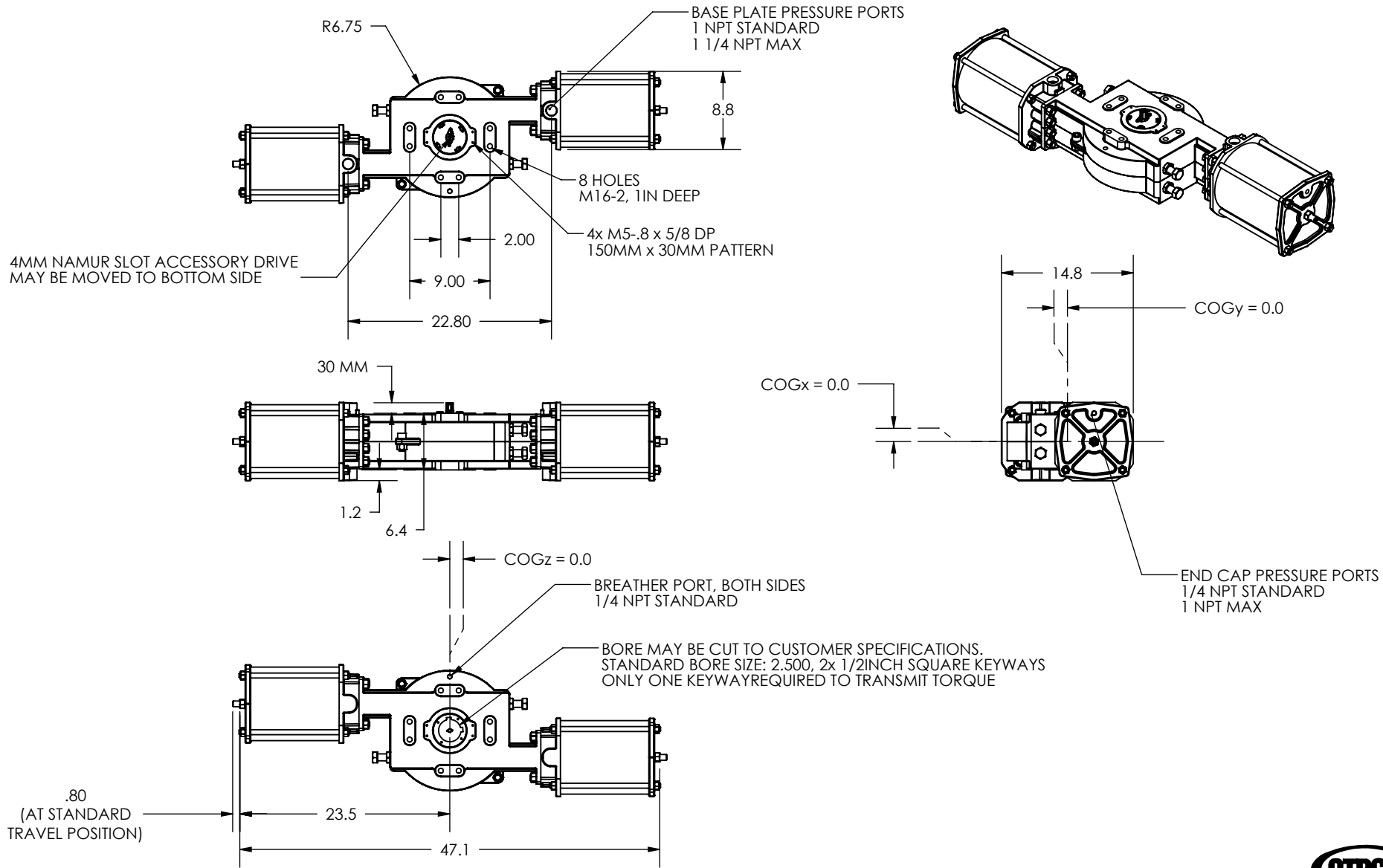


A B C D E F G H J K

1
2
3
4
5
6



TOP AND BOTTOM MOUNTING DIMENSIONS ARE IDENTICAL



| REV. | DESCRIPTION | DATE | DRAWNBY |
|------|--|-------------|---------|
| A | INITIAL | 02-Oct-2013 | JRH |
| B | CORRECTED ACCESSORY MOUNTING THREAD SIZE | 10-Jun-2014 | JRH |
| C | CORRECTED MOUNTING HOLE CALLOUT | 09-Sep-2014 | JRH |

| STATUS | APPROVAL |
|----------|-------------------------|
| Released | JRH 09 Sep 14 |

Except as shown, Dimensions are inches and standard Tolerances are:
 Fractional +/- N/A
 Angular +/- N/A
 1 Decimal +/- N/A
 2 Decimal +/- N/A
 3 Decimal +/- N/A

| | |
|--|---------------|
| DESCRIPTION F2300DA08 STANDARD DIMENSIONS | |
| DWG. NO. F2300DA08-DIM-01 | REVISION C |

DO NOT SCALE DRAWING
PROPRIETARY AND CONFIDENTIAL
 THE INFORMATION CONTAINED IN THIS DRAWING IS THE SOLE PROPERTY OF QTRCO, INC. ANY REPRODUCTION IN PART OR AS A WHOLE WITHOUT THE WRITTEN PERMISSION OF QTRCO, INC. IS PROHIBITED.

MATERIALS AS SPECIFIED BY PRODUCT LINE STANDARDS AND ORDERED OPTIONS. WEIGHT SHOWN WITH HEAVISET MATERIAL OPTIONS.

| | | |
|--------------------------------|---|-----------|
| WEIGHT (Pounds): 229.62 | SHEET <u>1</u> OF <u>1</u> 1 of 1 if not shown | SIZE A |
|--------------------------------|---|-----------|