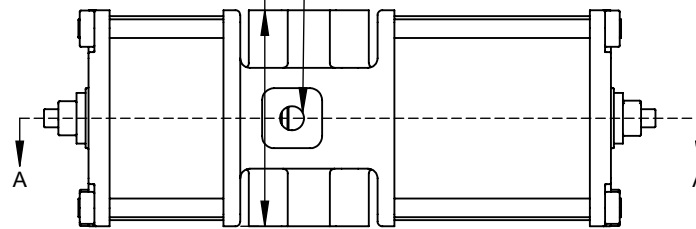


In this view, applying pressure to the end caps will push the pistons inward causing counter clockwise rotation of the shaft and compression of the springs. Upon exhaust of pressure the springs will cause clockwise rotation of the shaft.

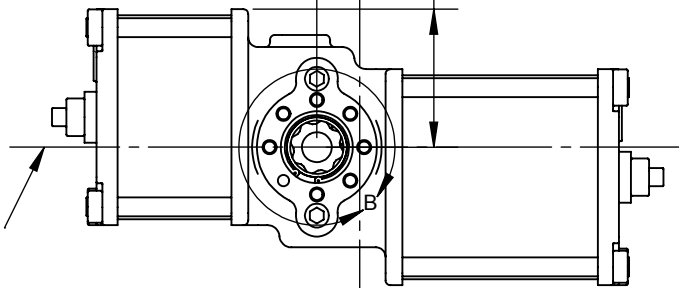
1/4 NPT breather port

4.5

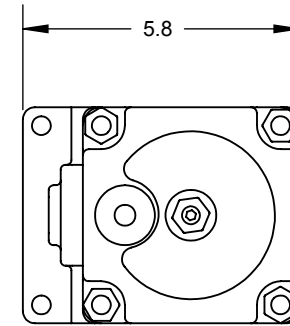
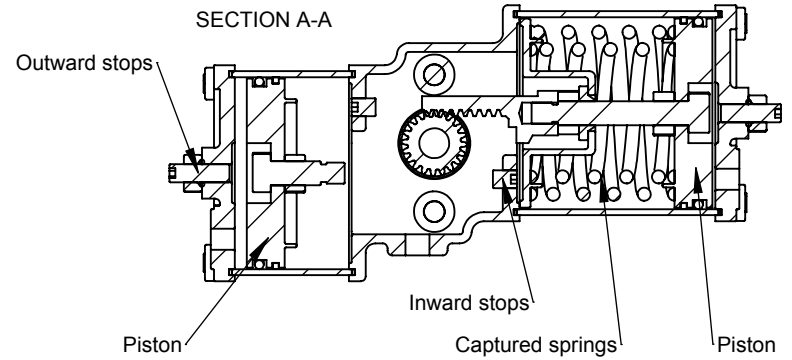


.89

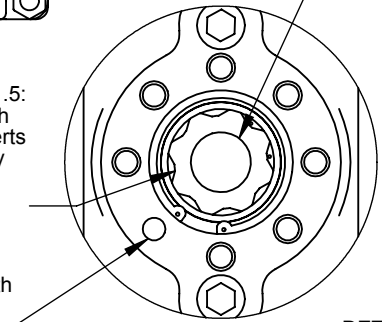
2.9 Typ



SECTION A-A



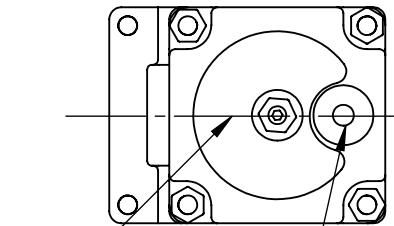
5/8" Dia thru hole



DETAIL B
SCALE 1 : 2

0.87" double square x 1.5:
Dp female drive on both
sides. Each side converts
to NAMUR #1 geometry
for accessories

ISO5211 F05 BCD
Qty 8, M6-1 x 1/2" Dp
holes on 1.97" BCD both
top and bottom sides



COG

1/4 NPT pressure port
on both end caps.
3/8 and 1/2 NPT option
for high speed

COG

COG

DIMENSIONS ARE IN INCHES
TOLERANCES except as shown

FRACTIONAL:	±
ANGULAR:	±
2 PLACE DECIMAL:	±
3 PLACE DECIMAL:	±

NAME	DATE
DRAWN	EH 3/5/10
Rev B	
Rev C	
Rev D	
Rev E	

QTRCO, Inc.

Dimensional Drawing
QD05SD and QS05SD

PROPRIETARY AND CONFIDENTIAL
THE INFORMATION CONTAINED IN THIS
DRAWING IS THE SOLE PROPERTY OF
QTRCO, INC. ANY REPRODUCTION IN
PART OR AS A WHOLE WITHOUT THE
WRITTEN PERMISSION OF QTRCO, INC.
IS PROHIBITED.

MATERIAL
PROCESS
DO NOT SCALE DRAWING

SIZE A	DWG. NO. QD05SD-DIM-01A
WEIGHT (Pounds): 26	SHEET ____ OF ____ 1 of 1 if not shown