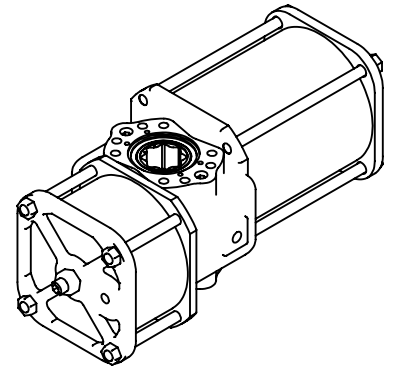
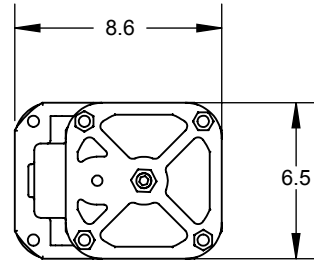


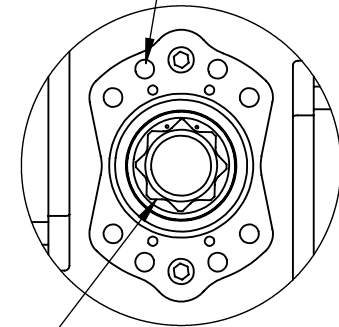
SECTION A-A



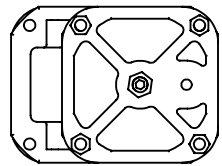
8 Threaded mounting holes both ends
 M10-1.5 x 0.6" Deep
 4 on 4.02" BCD
 4 on 1.5 x 4.02 Rectangular pattern



Double square female shaft geometry on both ends. 1.42" Square x 1.5" Dp (36mm x 38mm). The side of the actuator that is not attached to the valve will be provided with a NAMUR Top Hat to convert the female shaft to a male NAMUR #1 slotted drive geometry. Both ends are drilled and tapped for a NAMUR 1 mounting pattern or 30mm x 80mm using M5 x 9mm Dp screw threads.



DETAIL B
 SCALE 1 : 4



DIMENSIONS ARE IN INCHES
 TOLERANCES except as shown
 FRACTIONAL: ±
 ANGULAR: ±
 2 PLACE DECIMAL: ±
 3 PLACE DECIMAL: ±

	NAME	DATE
DRAWN	EH	4/18/09
Rev B		
Rev C		
Rev D		
Rev E		

QTRCO, Inc.

Dimensional Drawing
 QD and QS10SD

PROPRIETARY AND CONFIDENTIAL

THE INFORMATION CONTAINED IN THIS DRAWING IS THE SOLE PROPERTY OF QTRCO, INC. ANY REPRODUCTION IN PART OR AS A WHOLE WITHOUT THE WRITTEN PERMISSION OF QTRCO, INC. IS PROHIBITED.

MATERIAL
PROCESS
DO NOT SCALE DRAWING

SIZE **A** DWG. NO. QD10SD-DIM-001A

WEIGHT (Pounds): 65

SHEET ____ OF ____
 1 of 1 if not shown