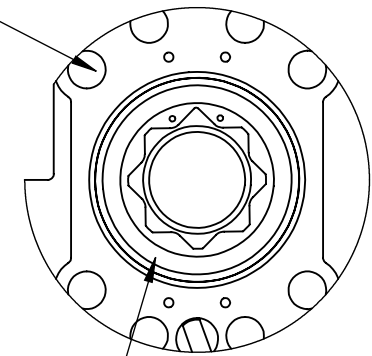
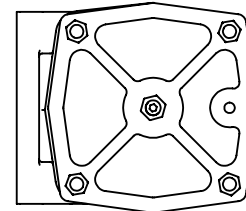
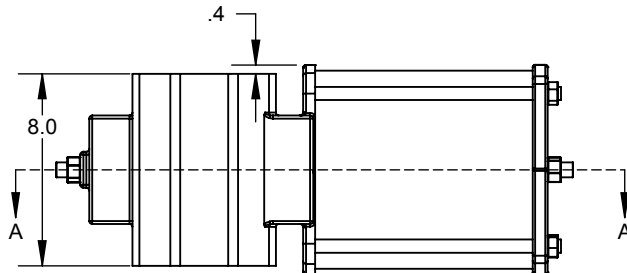
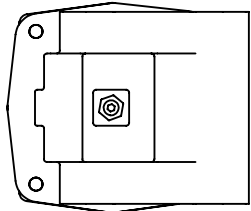
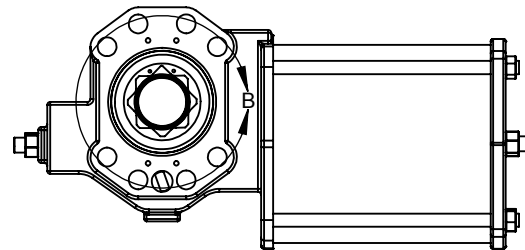


8 Holes, M20 x 1" Dp both sides of body.
Qty 4 are on 6.5" BCD (ISO F16, 165mm)
Qty 4 are on 2" x 6" pattern



2.16 (55mm) Double square female drive both faces.
2.75" Dp with 2" Diameter thru hole. Either side is convertible to the NAMUR 3 accessory mounting pattern for Fail Open or Fail Closed operation.

DETAIL B
SCALE 1 : 4



DIMENSIONS ARE IN INCHES
TOLERANCES except as shown
FRACTIONAL: ±
ANGULAR: ±
2 PLACE DECIMAL: ±
3 PLACE DECIMAL: ±

MATERIAL
PROCESS
DO NOT SCALE DRAWING

	NAME	DATE
DRAWN	EH	2/10/09
Rev B		
Rev C		
Rev D		
Rev E		

QTRCO, Inc.

Dimensional Drawing
QD12SR and QS12SR

SIZE **A** DWG. NO. **QD12SR-DIM-001A**

WEIGHT (Pounds): **115**

SHEET ____ OF ____
1 of 1 if not shown

PROPRIETARY AND CONFIDENTIAL

THE INFORMATION CONTAINED IN THIS DRAWING IS THE SOLE PROPERTY OF QTRCO, INC. ANY REPRODUCTION IN PART OR AS A WHOLE WITHOUT THE WRITTEN PERMISSION OF QTRCO, INC. IS PROHIBITED.