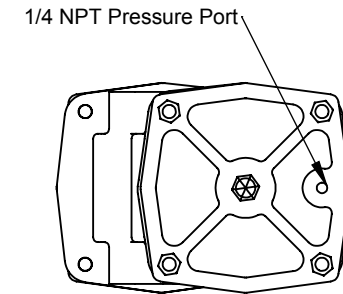
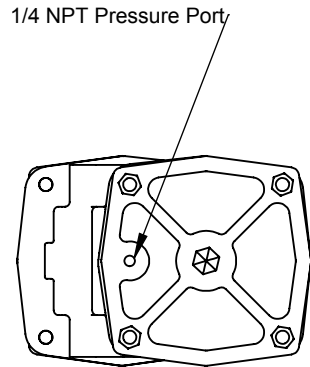
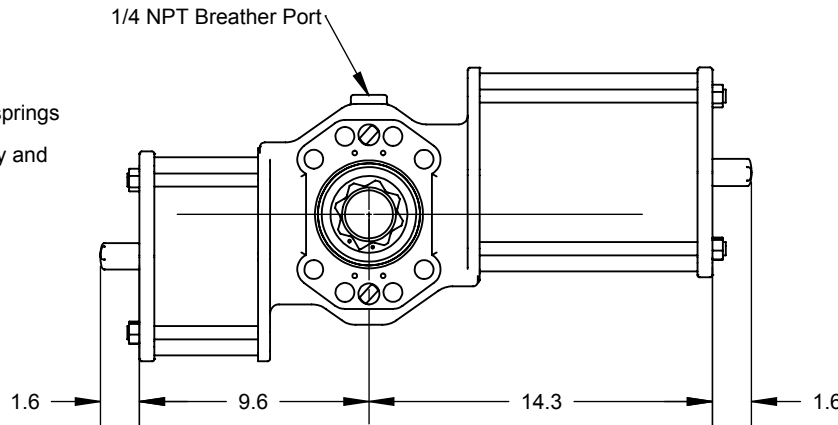
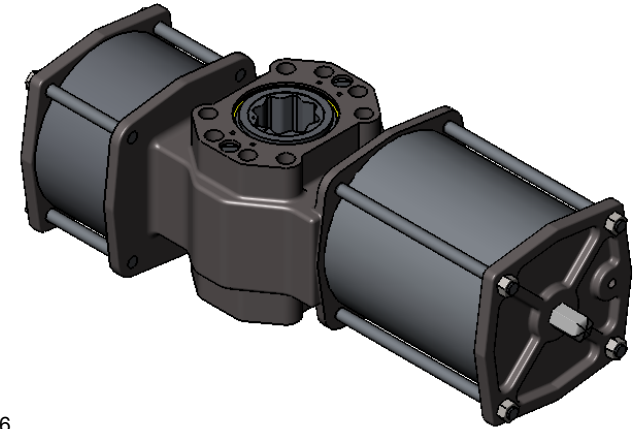
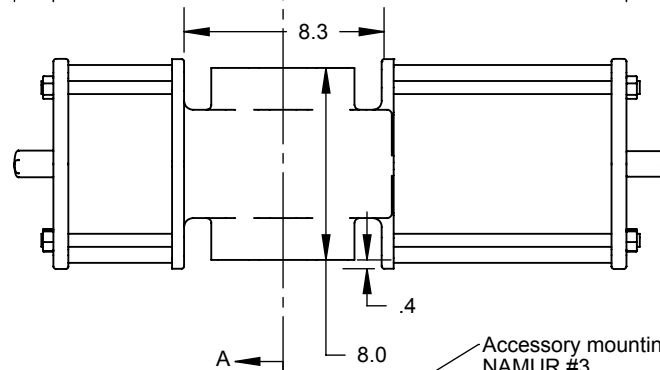


Tube pressure to both end caps
 Apply pressure to end cap ports to cause CCW rotation in this view. Release pressure to allow springs to cause CW rotation.
 Tube body port to allow breathing of center cavity and to prevent ingress of contaminants.

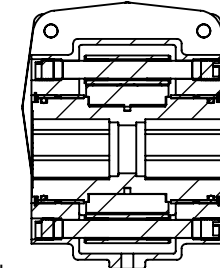
To reverse action, turn actuator top side down.



Mounting pattern - Both sides
 Qty 8 M20 - 2.5 threaded holes x 1" Deep
 Qty 4 on ISO 5211 F16 BCD (6.5")
 Qty 4 on 6.5 x 2.0 Rectangular pattern



Accessory mounting - both sides
 NAMUR #3
 Qty4 M5-0.8 x 3/8" Dp Threaded holes
 On 30mm x 130mm Rectangular Pattern



Remove covers to adjust outward travel of pistons.

SECTION A-A

ISO 5211 size F25 Double Square Female drive shaft with flat sides aligned to actuator's vertical and horizontal planes.
 Across flats = 2.165"
 Corner diameter = 2.870"
 Depth = 3.25" Both ends

Center thru hole diameter = 2.0"

DIMENSIONS ARE IN INCHES
 TOLERANCES except as shown
 FRACTIONAL: ±
 ANGULAR: ±
 2 PLACE DECIMAL: ±
 3 PLACE DECIMAL: ±

	NAME	DATE
DRAWN	EH	11/17/08
Rev B		
Rev C		
Rev D		
Rev E		

QTRCO, Inc.

QS14SD and QD14SD
 Dimensions

PROPRIETARY AND CONFIDENTIAL

THE INFORMATION CONTAINED IN THIS DRAWING IS THE SOLE PROPERTY OF QTRCO, INC. ANY REPRODUCTION IN PART OR AS A WHOLE WITHOUT THE WRITTEN PERMISSION OF QTRCO, INC. IS PROHIBITED.

MATERIAL
PROCESS
DO NOT SCALE DRAWING

SIZE **A** DWG. NO. QS14SD-DIM-001-A

WEIGHT (Pounds): 150

SHEET ____ OF ____
 1 of 1 if not shown