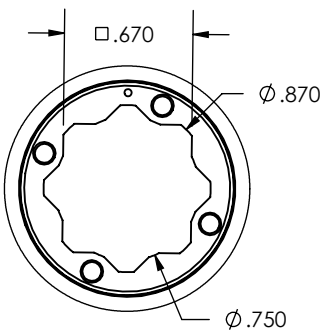


SHOWN WITH NAMUR MOUNTING PLATE AND ACCESSORY DRIVE. IDENTICAL MOUNTING PATTERNS AND SHAFT DRIVE EXIST ON BOTH SIDES, NAMUR ACCESSORIES MAY BE MOVED TO OPPOSITE SIDE.

MOUNTING PATTERNS: F05 AND F07

SHAFT: 17MM FEMALE DOUBLE SQUARE, 1.300 INCHES DEEP (MEASURED FROM MOUNTING SURFACE)

PORT SIZES AS ORDERED, 1/4 NPT STANDARD



DETAIL A
SCALE 1 : 1



REV.	DESCRIPTION	DATE	DRAWNBY
A	INITIAL	10-JUN-2014	JRH

STATUS	APPROVAL
Released	JRH 11 Jun 14

Except as shown, Dimensions are inches and standard Tolerances are:

Fractional +/- N/A
 Angular +/- N/A
 1 Decimal +/- N/A
 2 Decimal +/- N/A
 3 Decimal +/- N/A

DESCRIPTION	REVISION
	A

DO NOT SCALE DRAWING
PROPRIETARY AND CONFIDENTIAL
 THE INFORMATION CONTAINED IN THIS DRAWING IS THE SOLE PROPERTY OF QTRCO, INC. ANY REPRODUCTION IN PART OR AS A WHOLE WITHOUT THE WRITTEN PERMISSION OF QTRCO, INC. IS PROHIBITED.

MATERIALS AS SPECIFIED BY PRODUCT LINE STANDARDS AND ORDERED OPTIONS. WEIGHT SHOWN WITH HEAVISET MATERIAL OPTIONS.

DWG. NO.	REVISION	SHEET	OF	SIZE
Qx205SD-DIM-01	A	1	1	A

WEIGHT (Pounds): 25.357

1 of 1 if not shown